

OFFSET RING WRENCHES - METRIC | E113321

Description

- ISO 691 - ISO 1711-1 - ISO 3318 - ISO 10104 - DIN 838
- 12-point OGV® ring wrenches offset by 70° for better access to recessed nuts.
- OGV® Ring profile maximizing contact surface with the nut for a longer lifetime.
- Forged in Chrome Vanadium steel.
- High chrome finish.

Information

EAN 3258951133217

A1 [mm] 7

A [mm] 6

B [mm] 10.8

B1 [mm] 12.5

C [mm] 4

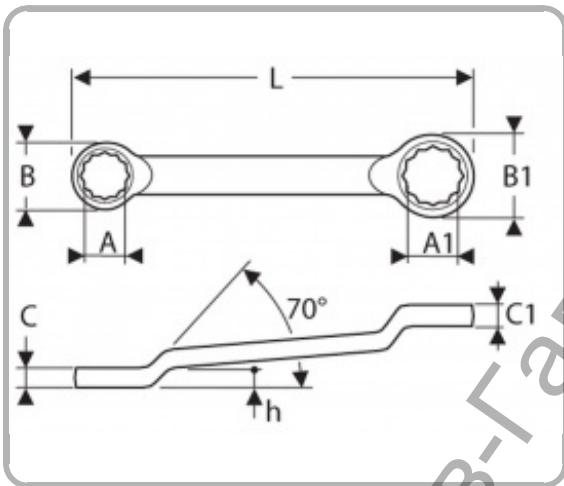
C1 [mm] 5.6

H1 [mm] 19.5

L [mm] 170

Conditioning 1

[g] 45



Ташев-Галвини ООД
www.tashev-galving.com